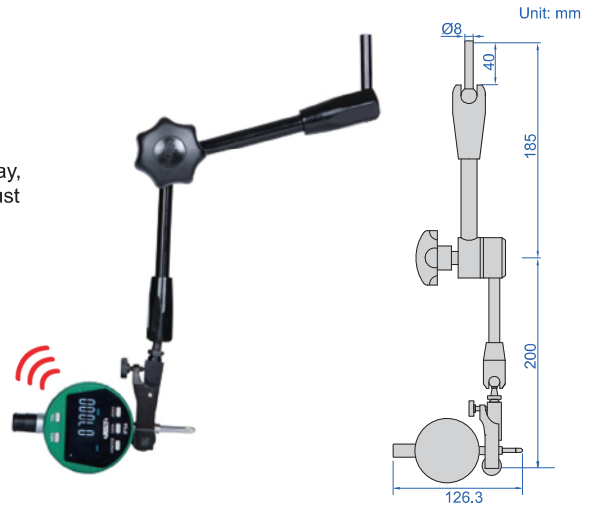


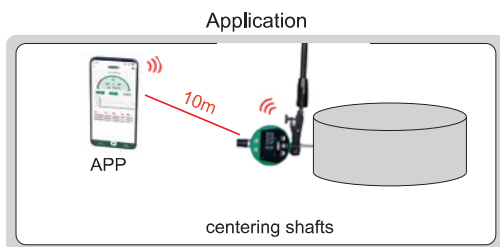
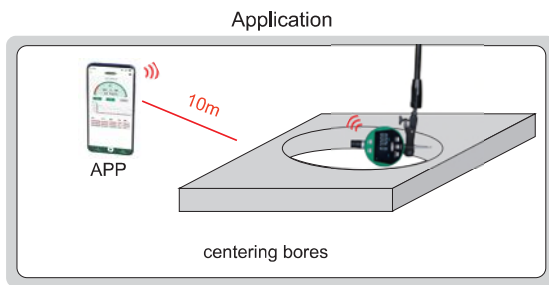
# BLUETOOTH DIGITAL CENTERING INDICATOR

**BUILT-IN  
BLUETOOTH**

- Centering bores and shafts when installed on machine tools
- The APP features real-time data display and zero setting for digital indicator
- Android and iPhone APP are included
- Built-in bluetooth, transmission distance is 10 meters (under the condition of no obstruction and no electromagnetic interference)
- Button function: on/off, zero setting, data preset, tolerance Go and No-Go display, data hold, mm/inch, measuring direction change, bluetooth, max./min./TIR, adjust resolution, absolute/incremental measurement, data output
- Power: rechargeable Li-battery



Code	Digital indicator stroke	Digital indicator resolution	Accuracy
2851-10	12.7mm/0.5"	0.0005mm/0.00002" (can switch to: 0.001mm/0.00005")	2μm



Android and iPhone APP (included)

15:37

INSIZE

set parameters and tolerance

2135-0331330017

zero setting for digital indicator

analog pointer

real-time data (GO in green, NO-GO in red)

9.6470

data statistics

Max	Min	Avg	Tir
13.4280	0.0000	7.1839	13.4280

Unit:mm

graph

Name	Time	Value	Unit	Status
2135-0331330017	2025-03-13 15:37:21	9.6470	mm	UpMax
2135-0331330017	2025-03-13 15:37:20	8.9540	mm	UpMax
2135-0331330017	2025-03-13 15:37:20	6.2585	mm	OK

Export

start/stop data transmission

Clear